

# Ct-BT04

## Bluetooth Module

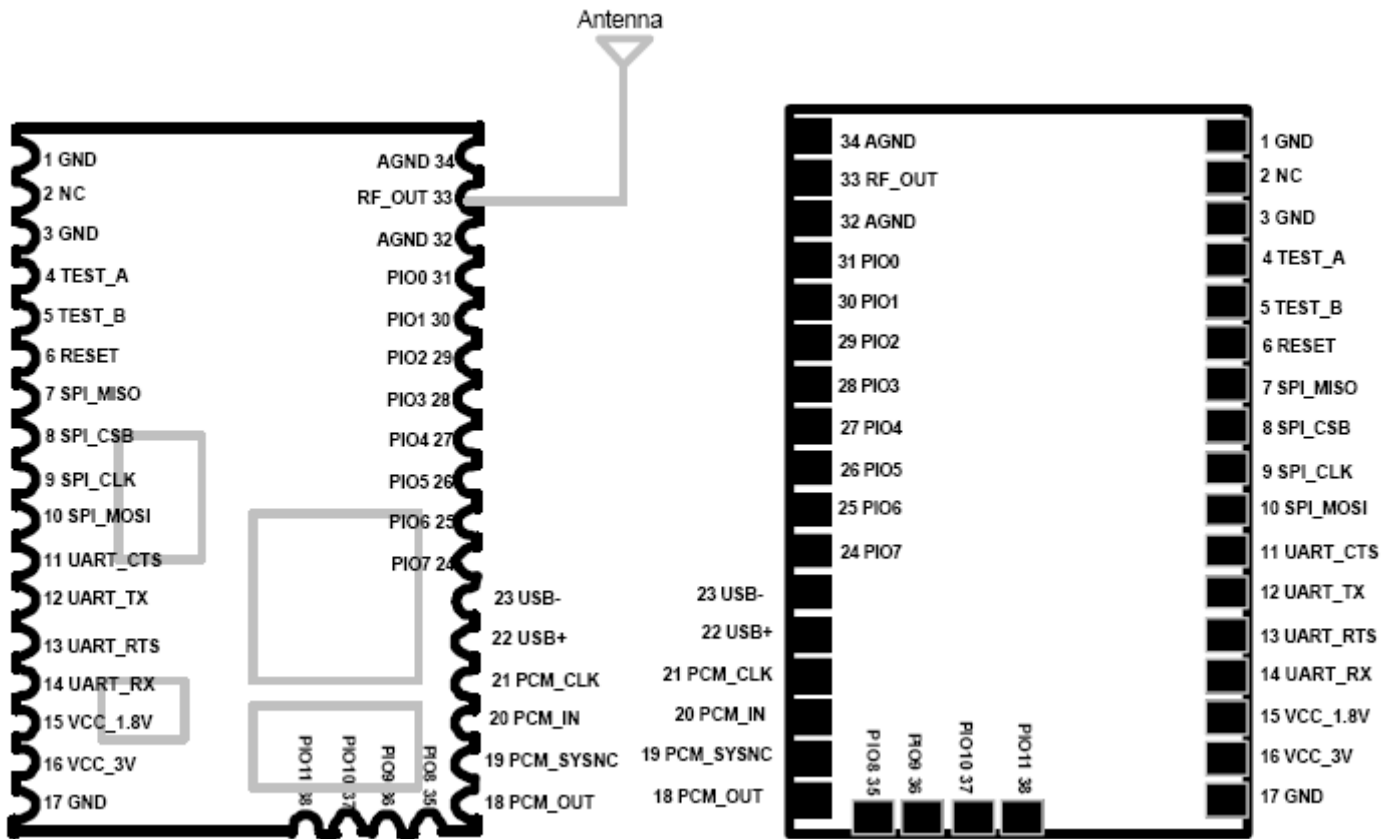
### Specifications Sheet V0.3



Part No.: 1-1S61-271R002  
Description: Class2 BT SPP Module

# 1. Hardware & Technical Information

## 1.1 Pin definition

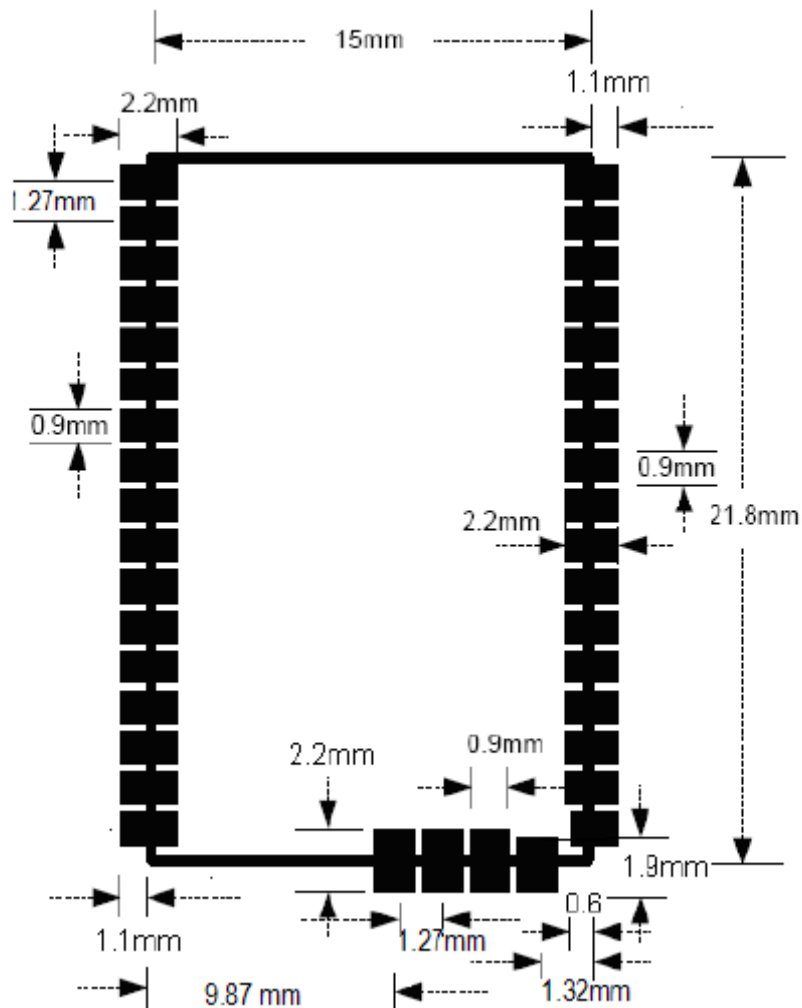


Pin No.	Name	Type	Description	Pin No.	Name	Type	Description
1	GND		Ground connection for digital/analogy	34	GND		Ground connection for digital/analogy
2	NC		Leave it open	33	RF_OUT	O	RF Output
3	GND		Ground connection for digital/analogy	32	GND		Ground connection for digital/analogy
4	TestA		Internal test only	31	PIO0	I/O	Programmable input/output line
5	TestB		Internal test only	30	PIO1	I/O	Programmable input/output line
6	Reset	I	Active high for reset.	29	PIO2	I/O	Programmable input/output line
7	SPI_MISO		Serial Peripheral Interface data output	28	PIO3	I/O	Programmable input/output line

Pin No.	Name	Type	Description	Pin No.	Name	Type	Description
8	SPI_CSB		Chip select for Synchronous Serial Interface, active low	27	PIO4	I/O	Programmable input/output line
9	SPI_CLK		Serial Peripheral Interface clock	26	PIO5	I/O	Programmable input/output line
10	SPI_MOSI		Serial Peripheral Interface data input	25	PIO6	I/O	Programmable input/output line
11	UART_CTS	I	UART clear to send active low	24	PIO7	O	
12	UART_TX	O	UART data output	23	USB-		USB data minus(Not implemented)
13	UART_RTS	O	UART request to send active low	22	USB+		USB data plus with selectable internal 1.5 ohm pull-up resistor (Not implemented)
14	UART_RX	I	UART data input	21	PCM_CLK	I/O	Synchronous data clock
15	VCC_1.8V	O	Regulated voltage 1.8V output	20	PCM_IN	I	Synchronous data input
16	VCC_3.3V	I	Voltage supplier from 2.8 to 4V	19	PCM_SYNC	I/O	Synchronous data sync
17	GND		Ground connection for digital/analogy	18	PCM_OUT	O	Synchronous data output

Pin No.	Name	Type	Description	Pin No.	Name	Type	Description
35	PIO8	I/O	Programmable input/output line	37	PIO10	I/O	Programmable input/output line
36	PIO9	I/O	Programmable input/output line	38	PIO11	I/O	Programmable input/output line

## 1.2 Recommended PCB Layout Outline



### Layout Note:

1. Use solid power and ground planes
2. Ensure there is defined returned path for the signals
3. Power plane extent should be within ground plane extent

### 1.3 Block Diagram

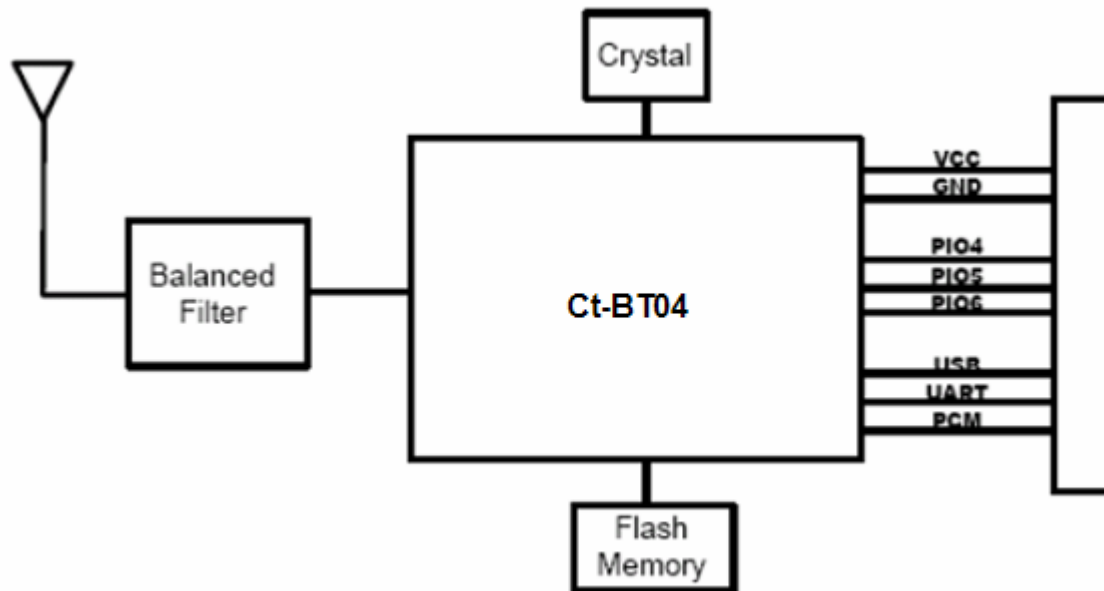


Fig. 1.3.1 BT-Class2 Module Block Diagram

## 1.4 Electrical Characteristics

### BT-Class 2

	MIN	Typ.	Max	Unit
Supply Voltage	3.0	3.3	3.6	V
RX Supply Current		30		mA
TX Supply Current(Normal)		40		mA
TX Supply Current(Continuous)		65		mA
Sleep Supply Current		1		mA
Storage Temperature	-20		+85	°C

- **Power Consumption**

### BT-Class 2

Mode	Avg.
Standby	1mA
Transmit	40mA
Receive	30mA

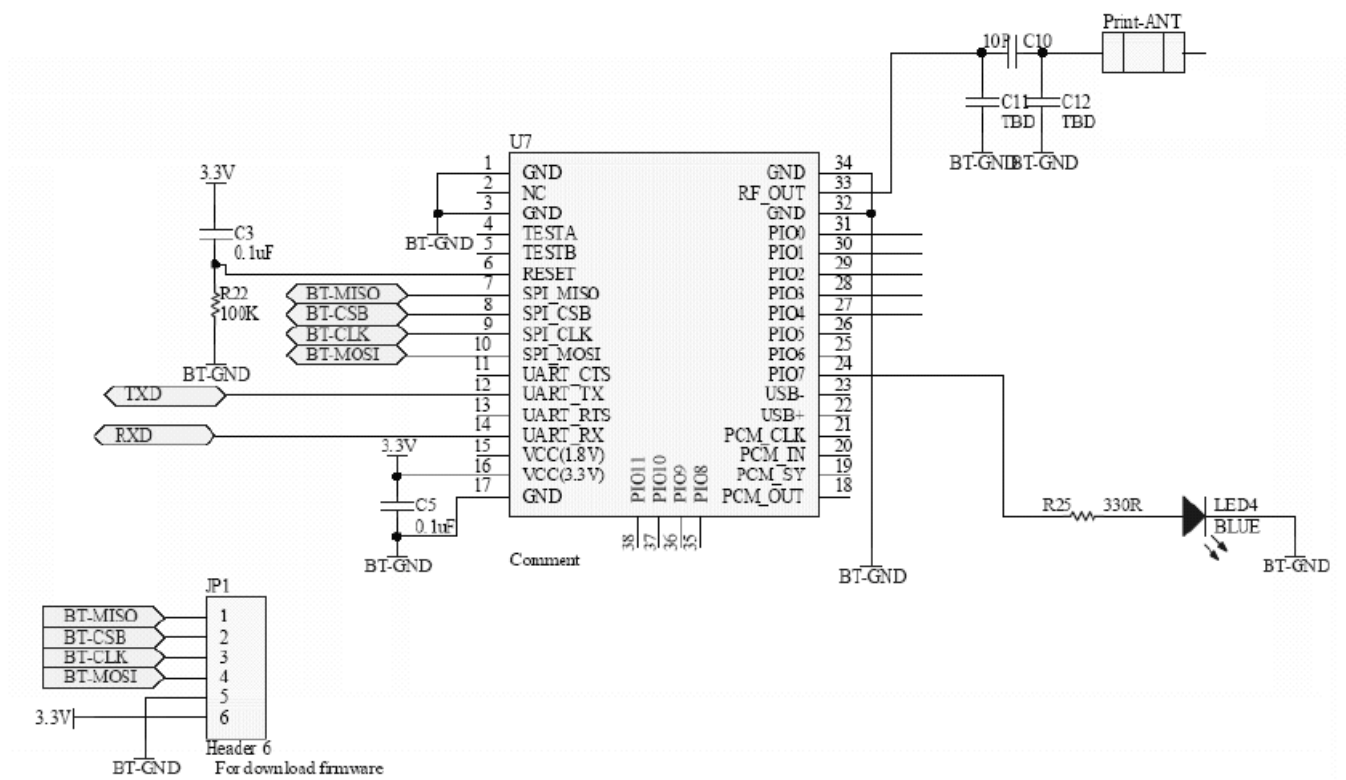
- **Operating Conditions**

Voltage Range	3.3V±0.3V
Operating Temperature Range	-20°C ~ 60°C
Storage Temperature Range	-20°C ~ 80°C
Relative Humidity (Operating)	≤ 90%
Relative Humidity (Storage)	≤ 90%

## 1.5 Radio Characteristics

### ● BT-Class2 BT2.0 Module

	Frequency (GHz)	Min	Typ	Max	BT Spec.	Unit
Sensitivity at 0.1%BER	2.402	-	-80	-86	$\leq -70$	cBm
	2.441	-	-80	-86		cBm
	2.480	-	-80	-86		cBm
RF Transmit Power	2.402	-	0	-	$\leq 0$	cBm
	2.441	-	0	-		cBm
	2.480	-	0	-		cBm
Initial Carrier Frequency Tolerance	2.402	-	5	75	75	kHz
	2.441	-	5	75		kHz
	2.480	-	5	75		kHz
20dB bandwidth for modulated carrier		-	900	1000	$\leq 1000$	kHz
Drift (Five slots packet)		-	15	-	40	kHz
Drift Rate		-	13	-	20	kHz
$\Delta f_{1\text{avg}}$ "Maximum Modulation"	2.402GHz	140	165	175	$140 < \Delta f_{1\text{avg}}$	kHz
	2.441GHz	140	165	175		kHz
	2.480GHz	140	165	175		kHz
$\Delta f_{2\text{max}}$ "Minimum Modulation"	2.402GHz	115	190	-	115	kHz
	2.441GHz	115	190	-		kHz
	2.480GHz	115	190	-		kHz

**Reference Schematics**




## 2. Software / Profile

### 2.1 Ct-BT04-SPP Software function

Stack / Profile	BT-Class2 (Class BT2.0 Module)
SPP	■

#### a. Pairing mode

Power on the module and Ct-BT04-SPP will be stay in pairing mode

#### b. Connection

Turn on Bluetooth function/Software in master device (like PC with BT dongle) and make a search for Bluetooth device. When master device found Bluetooth device named "SPP", make Bluetooth connection with SPP with pin code "0000". Ct-BT04-SPP will automatically response itself and established the connection.

#### c. Data Transmission / Receiving

When the Connection was established, User can input data to UART\_RX.

Ct-BT04-SPP will send data out via UART\_RX to Master device.

User can get the data sent from Master device as well from UART\_RX.

#### d. AT command

Ct-BT04-SPP will not response to any AT command send from user. If there is a specified function to implement, we can accept OEM custom f/w.

### 2.2 Ct-BT04-AT Software function

#### a. AT command

Ct-BT04-AT will act only when you send AT command. You can find the detailed command list in "Ct-BT04 AT command" document.

### 3. Standard Setup Information

	Parameter		Value
1	Baud Rate		9600
2	Pin Code Prompt		“0000”
3	Local Name		SPP
4	LED PIN24(PIO 7)	Power on	Flash 26 times[ON time frame: 80ms, OFF time frame: 140ms]
		Connect	Flash with ON one time within 1 second,[ON time frame: 35ms]
		Disconnected	Flash with ON one time within 3 seconds,[ON time frame : 35ms]

### 4. Customization Information

	Parameter		Value
1	Baud Rate		
2	Pin Code Prompt		
3	Local Name		
4	LED PIN24(PIO 7)	Connected	
		Disconnected	